



DisplayPort 1.2 Data Recovery Repeater, DPAX

Description

DisplayPort 1.2 Repeater, DPAX is designed compact enough to be fitted into various installation environments with DisplayPort cables. DPAX enables to transmit 4K UHD(4096x2160) signals up to combined length of 8m (26feet) over DisplayPort 1.2 copper cables without any data compression or scaling.

Related Products

- DPFX-700-TR: DisplayPort 1.2 fiber-optic Extender
- DPFX-300-TR: DisplayPort 1.2 fiber-optic Extender
- DPFX-250-TR : DisplayPort 1.2 fiber-optic Extender
- DPFX-100-TR : DisplayPort 1.1 fiber-optic Extender
- DPFC-200D : DisplayPort 1.2 Active Optical Cable
- M1-5000-xx : DisplayPort 1.1 Hybrid Optical Cable

Applications

- Digital Signage
- Medical imaging
- Control room
- Any DisplayPort display applications

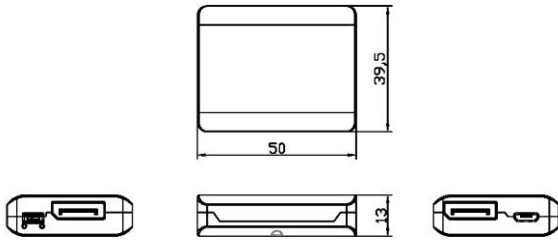
Specification

- Complies with **DisplayPort 1.2 standards**
- Supports Ultra High Definition (**up to 4096x2160 at 60Hz**)
- Offers **Data Recovery function**
- Transmits DisplayPort 1.2 data up to 8m (26feet) over copper cables.
 - 3m(10ft) from the Source / 5m(16ft) to the Display at DP 1.2**
 - 5m(16ft) from the Source / 10m(33ft) to the Display at DP 1.1**
- Offers total data rate 21.6Gbps (5.4Gbps per lane)
- Supports auxiliary channel, MST Function
- Supports much longer extension through daisy-chain connection.
- Designed so that a compatibility could go well with the optical DisplayPort extender DPFX-200, DPFX-100 etc.
- Operated by USB power or DC power supplying adaptor
- Size (WDH): 39.5 x 50 x 13mm

DisplayPort 1.2 Data Recovery Repeater, DPAX

Dimension

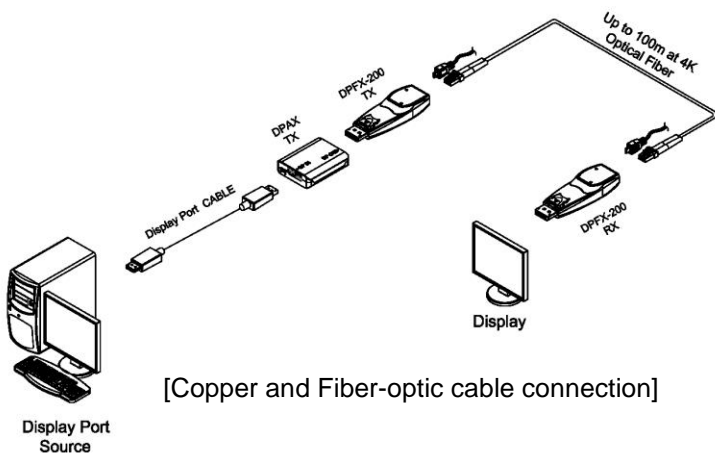
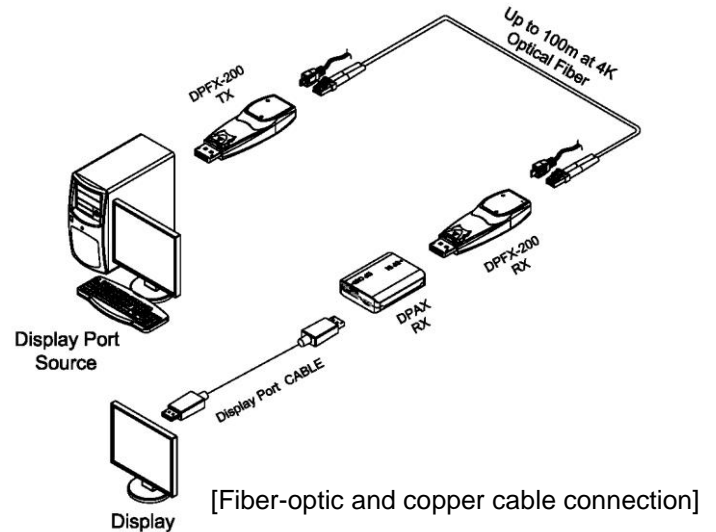
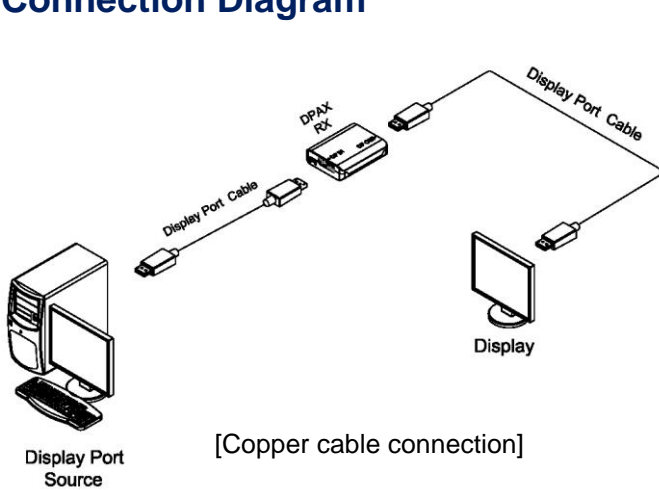
Size: 39.5 x 50 x 13mm (WDH)



Technical Features

Resolution	Up to 4K UHD(4096x2160) at 60Hz
Maximum Data rate	21.6Gbps (5.4Gbps per lane) (RBR, HBR, HBR2)
Distance info.	3m from the Source / 5m to the Display at DP 1.2 5m from the Source / 10m to the Display at DP 1.1
Power supplying	USB power or external 5V/1A DC power
LED Indicators	Blue LED Tx / Rx Switching status LED
Size (WDH)	39.5 x 50 x 13mm
Operating temperature	0 ~ 50 °C

Connection Diagram



Optolinks

HQ Address
46 Corporate Park #130
Irvine, CA 92606
949-701-4742
info@VigilLink.com

All contents are subject to be changed without prior notice.